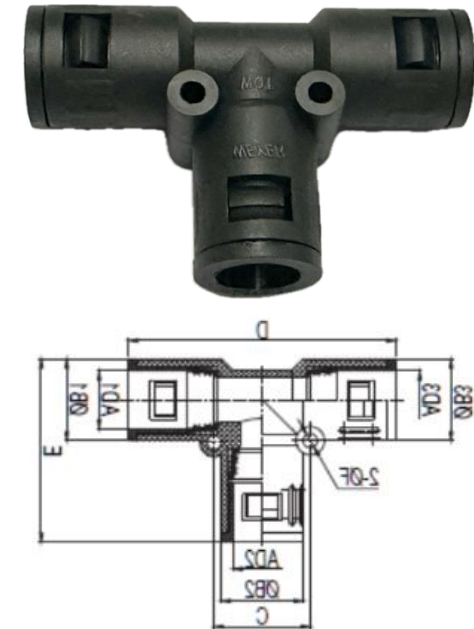


## CLCM Series – T Piece Fittings

- Nitrile Rubber “T” piece fitting.
- Designed for use to split a CL nylon conduit into two subordinate conduits.
- Integrated “Quick Release” tab enables fast, snap on installation.

### Product Details:

- Temperature range - Min -40°C to + max 120°C (Short term 150°C)
- Material - Nitrile Rubber (NBR)
- Colour - Black (RAL 9005)
- Protection degree - IP66
- Characteristics - Resistant to oil, fuel and other chemicals  
- Low fire hazard, flame retardent, self extinguishing  
- Halogen free - Free of Phosphor and cadmium  
- Designed for terminating CL conduit range
- Installation - Splits a primary conduit into 2 subordinate conduits  
- Integrated “quick release” tab enables fast, snap on installation  
- No tools required



Product Catalogue No.	AD2 Conduit Size (mm)	AD1/3 Conduit Sizes (mm)	ØB2 (mm)	ØB1/3 (mm)	C (mm)	D (mm)	E (mm)	ØF (mm)
CLCM13T	13.0	2 x 13.0	20.0	20.0	20.0	71.0	46.5	2 x 4.0
CLCM16T	15.8	2 x 15.8	23.0	23.0	23.0	80.0	51.5	2 x 4.0
CLCM21T	21.2	2 x 21.2	29.5	29.5	27.0	93.5	66.0	2 x 6.5
CLCM28T	28.5	2 x 28.5	37.0	37.0	34.0	106.0	75.0	2 x 6.5
CLCM34T	34.5	2 x 34.5	44.0	44.0	43.0	119.0	85.0	2 x 6.5