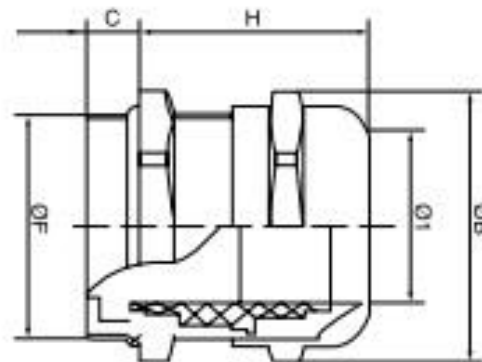
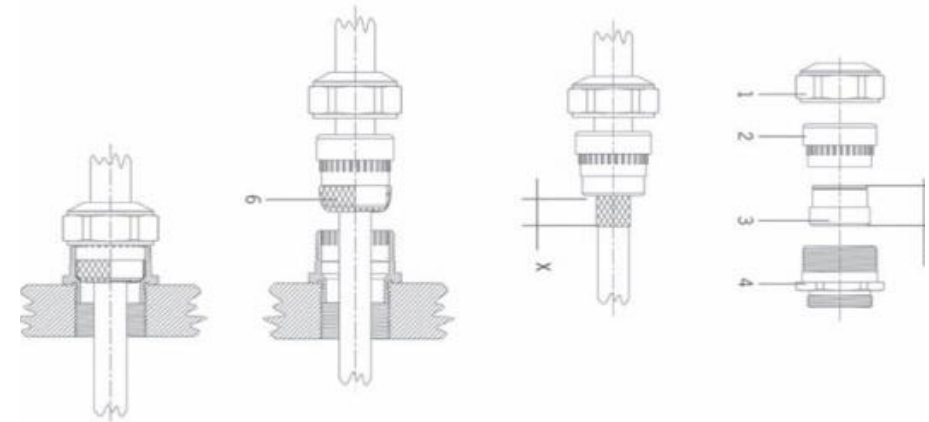


ASSEMBLY INSTRUCTIONS

EMC CABLE GLAND

1. Screw the lower part (4) of the cable gland into the housing.
2. Push the compression nut (1), sealing insert (2) and contact bushing (3) over the cable.
3. Trim braided shield or shielding foil to the approximate length of the contact bushing (X)
4. Push contact bushing, sealing insert and compression nut to the end of the sheath
5. Place braided shield (6) or shielding foil over the contact bushing and cut off the exposed shielding material
6. Feed cable through the already mounted lower part of the cable
7. Insert sealing insert and contact bushing flush into the lower part
8. Tighten compression nut to the lower part until the sealing insert forms a small ridge between the compression nut and the cable



L&C Part No	Thread	Clamping Range (mm)	Thread Size (mm)	Thread Length (mm)	Wrench Size (mm)
EMCMG-16	M16*1.5	5 - 10	16	10	22
EMCMG-20	M20*1.5	9 - 14	20	10	26
EMCMG-25	M25*1.5	11 - 18	25	12	30
EMCMG-32	M32*1.5	16 - 24	32	12	38
EMCMG-40	M40*1.5	22 - 32	40	15	50
EMCMG-50	M50*1.5	32 - 40	50	15	60
EMCMG-63	M63*1.5	38 - 53	63	15	75