

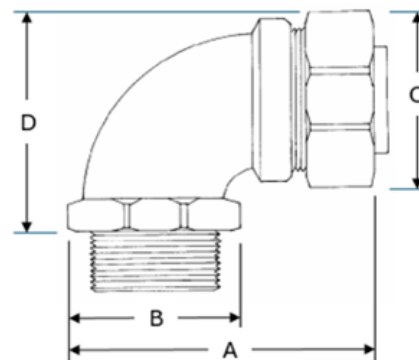


LC Series - Food Grade 316L Stainless Steel 90° Angle Fittings (Polished)

- 90 Degree Food Grade Polished 316L (Low Carbon) stainless steel fittings (also available with an unpolished finish)
- Provides maximum protection for electrical installations in Industrial & Commercial environments
- Ideally suited for use in the food industry, marine applications, laboratory equipment, welding environments

Product Details:

- | | |
|-------------------|---|
| Temperature range | - -45°C to + 135°C |
| Material | - Grade 316L (Low Carbon) Stainless Steel |
| Finish | - Polished Stainless Steel |
| Protection degree | - IP66/IP67/IP68 <small>Note 1</small> |
| U.V. Rating | - U.V. resistant and suitable for outdoor use |
| Characteristics | <ul style="list-style-type: none"> - Food Grade fitting - High tensile strength, oil resistant - Rust and corrosion resistant - Supplied complete with thread sealing washer - Highly resistant to sensitisation (grain boundary carbide precipitation) making it ideal for use in heavy gauge welded components |
| Installation | - Multi-part four component fitting supplied with nylon insulating throat |
| Applications | <ul style="list-style-type: none"> - Ideal for use in food environments, marine applications, laboratory equipment, welding environments - The low carbon composition makes it ideal for use in heavy gauge welded components - Suitable for threaded and knock out entries |



Product Catalogue No.	Thread Dimensions	Nominal Conduit Size (mm)	Total Length (A) (mm)	Flange Width (B) (mm)	Backnut Width (C) (mm)	Width (D) (mm)	Back Nut Torque Tension Required (Nm) <small>Note 2</small>
LC-20-90-SSFG	M20 X 1.5	20	56.0	29.5	31.5	38.5	33.9 Nm
LC-25-90-SSFG	M25 X 1.5	25	67.0	38.5	39.5	45.5	56.5 Nm

Notes:

1. To achieve the stated IP 66/67/68 protection for this fitting, the supplied thread sealing washer must be installed.
2. The back nut, which clamps the flexible conduit to the fitting, must be tightened to the torque tension stated to achieve the IP protection rating of the fitting and prevent water ingress.