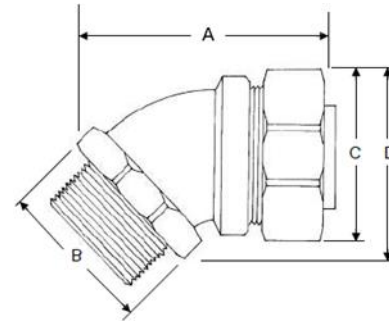


LC Series – 45 Degree Angle Fittings (Brass)

- **Nickel Plated Brass Fittings** (also available in Zinc Die Cast and 316 Marine Grade Stainless Steel)
- **Provides maximum protection for electrical installations in Industrial & Commercial environments.**

Product Details:

- Temperature range - -45°C to + 135°C
- Material - Nickel Plated Brass
- Protection degree - IP66/IP67/IP68 Note 1
- U.V. Rating - U.V. resistant and suitable for outdoor use
- Characteristics - High tensile strength, oil and corrosion resistant
 - Multi-part four component fitting
 - Supplied with nylon insulating throat
- Compatibility - Interchangeable with all liquid tight conduits made to American (UL360) sizes.
- Applications - Suitable for threaded and knock out entries.



Product Catalogue No.	Thread Dimensions	Nominal Conduit Size (mm)	Total Length (A) (mm)	Flange Width (B) (mm)	Backnut Width (C) (mm)	Width (D) (mm)	Back Nut Torque Tension Required (Nm) <small>Note 2</small>
LC-16-45-B	M16 X 1.5	16	48.0	29.5	28.0	33.0	22.6 Nm
LC-16/20-45-B	M20 X 1.5	16	49.0	30.0	28.0	33.0	22.6 Nm
LC-20-45-B	M20 X 1.5	20	49.0	29.0	34.0	35.0	33.9 Nm
LC-25-45-B	M25 X 1.5	25	56.0	37.0	38.5	40.5	56.5 Nm
LC-32-45-B	M32 X 1.5	32	64.0	45.0	46.0	48.0	79.1 Nm
LC-40-45-B	M40 X 1.5	40	76.0	51.0	57.5	59.0	113 Nm
LC-50-45-B	M50 X 1.5	50	82.0	64.0	67.0	67.5	136 Nm
LC-63-45-B	M63 X 1.5	63	96.0	79.0	81.0	84.0	181 Nm

Notes:

1. To achieve IP 66/67/68 protection for this fitting, a thread sealing washer or O ring must be installed.
2. The back nut, which clamps the flexible conduit to the fitting, must be tightened to the torque tension stated to achieve the IP protection rating of the fitting and prevent water ingress.