

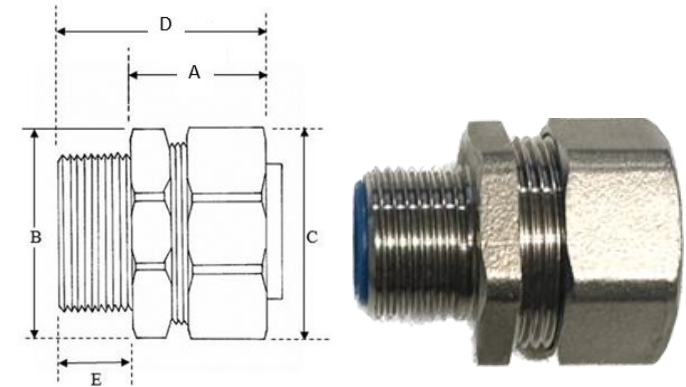


LC Series - Straight Fittings (316 Grade Stainless Steel)

- 316 Marine Grade Stainless Steel fittings (also available in Zinc Die Cast and Nickel Plated Brass)
- Provides maximum protection for electrical installations in Industrial & Commercial environments.

Product Details:

- Temperature range - -45°C to + 135°C
- Material - 316 Marine Grade Stainless Steel
- Protection degree - IP66/IP67/IP68 ^{Note 1}
- U.V. Rating - U.V. resistant and suitable for outdoor use
- Characteristics - Food grade fitting - High tensile strength
 - Oil resistant, rust and corrosion resistant
 - Multi-part component fitting supplied with nylon insulating throat
- Applications - Suitable for threaded and knock out entries
- Compatibility - Interchangeable with all liquid tight conduits made to American (UL360) sizes



Product Catalogue No.	Thread Dimensions	Nominal Conduit Size (mm)	Body Length (A) (mm)	Flange Diameter (B) (mm)	Backnut Diameter (C) (mm)	Total Length (D) (mm)	Thread Length (E) (mm)	Back Nut Torque Tension Required (Nm) ^{Note 2}
LC-16-SS	M16 X 1.5	16	10.4	10.4	28	36.7	13.0	22.6 Nm
LC-16/20-SS	M20 X 1.5	16	13.5	13.5	28	36.7	13.0	33.9 Nm
LC-20-SS	M20 X 1.5	20	13.5	13.5	32	36.7	13.0	33.9 Nm
LC-25-SS	M25 X 1.5	25	18.5	18.5	39	39.3	14.0	56.5 Nm
LC-32-SS	M32 X 1.5	32	24.9	24.9	47	43.3	16.3	79.1 Nm
LC-40-SS	M40 X 1.5	40	33.4	33.4	60	51.2	18.0	113 Nm
LC-50-SS	M50 X 1.5	50	37.8	37.8	67	51.2	18.0	136 Nm
LC-63-SS	M63 X 1.5	63	48.6	48.6	81	54.0	20.0	181 Nm
LC-80-SS	M80 X 1.5	80	42.0	116.0	115	60.0	18.0	-
LC-100-SS	M113 X 1.5	100	46.0	144.0	143	66.0	20.0	-

Notes:

1. To achieve IP 66/67/68 protection for this fitting, a thread sealing washer or O ring must be installed.
2. The back nut, which clamps the flexible conduit to the fitting, must be tightened to the torque tension stated to achieve the IP protection rating of the fitting and prevent water ingress.