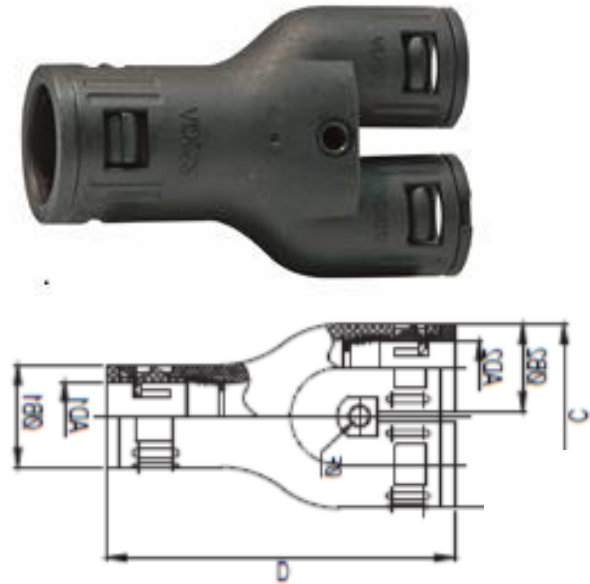


## CLCM Series – Y Piece Nylon Fittings

- Black nylon “Y” piece reducing fitting.
- Designed for splitting a primary CL conduit into two subordinate conduits.
- Integrated “Quick Release” tab enables fast, snap on installation.

### Product Details:

- Temperature range - Min -40°C to + max 100°C (Short term 120°C)
- Material - PA66 Nylon
- Colour - Black (RAL 9005)
- Protection degree - IP66
- U.V. Rating - U.V. resistant and suitable for outdoor use.
- Characteristics - Low fire hazard, flame retardent, self extinguishing  
 - Halogen free - Free of Phosphor and cadmium  
 - Designed for terminating CL conduit range
- Installation - Splits a primary conduit into 2 subordinate conduits  
 - Integrated “quick release” tab enables fast, snap on installation  
 - No tools required



Product Catalogue No.	AD1 Primary Conduit Size (mm)	AD2 Secondary Conduit Sizes (mm)	ØB1 (mm)	ØB2 (mm)	D (mm)	C (mm)	ØF (mm)
CLCM10Y	10.0	2 x 10.0	17.5	17.5	54.5	33.5	1 x 4.0
CLCM13Y	13.0	2 x 13.0	20.0	20.0	70.0	42.0	1 x 4.0
CLCM16Y	15.8	2 x 15.8	23.0	23.0	79.0	47.0	1 x 4.0
CLCM21Y	21.2	2 x 21.2	29.5	29.5	87.0	55.0	1 x 4.0
CLCM21-M16Y	21.2	2 x 15.8	29.5	23.0	87.0	47.0	1 x 4.0
CLCM28Y	28.5	2 x 28.5	38.0	38.0	99.0	77.0	1 x 4.0
CLCM28-M21Y	28.5	2 x 21.2	38.0	29.5	99.0	63.0	1 x 4.0
CLCM34Y	34.5	2 x 34.5	44.0	44.0	106.0	90.0	1 x 4.0